

# COUNTER BALANCE ARMS

## Application

Designed for use with the SCE HMI enclosures, allows operators to easily move or position an HMI to an ergonomic and comfortable working height. Made of heavy-duty, reliable construction. Counter Balance Systems can be assembled as a wall-mount or top-mount.

## Construction

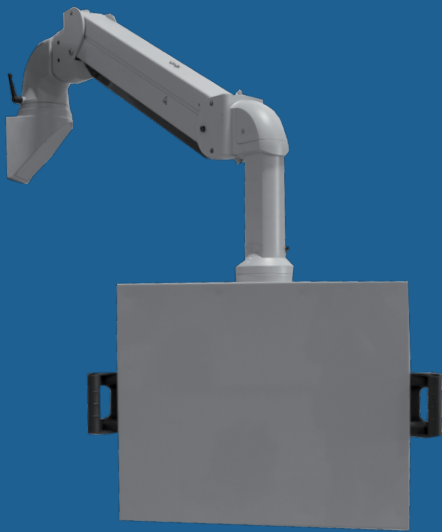
- Cast aluminum couplings.
- Extruded aluminum tubes (6060T66).
- Push button locking mechanism holds the arm at height that suits the operator.
- Rotating couplings have adjustable tensioner brakes to control movement while in use.
- Rigid, durable bearing in all rotating couplings withstand the stress of continuous use.
- Closed tube design.
- Removable access covers on all couplings with 90 degree turn.
- Hardware and gasket included for installation of coupling to tube.
- Range of vertical movement 36.86 inches.

## Finish

RAL 7035 powder coated finish.

## Industry Standards

NEMA Type 12  
IEC 60529 IP55

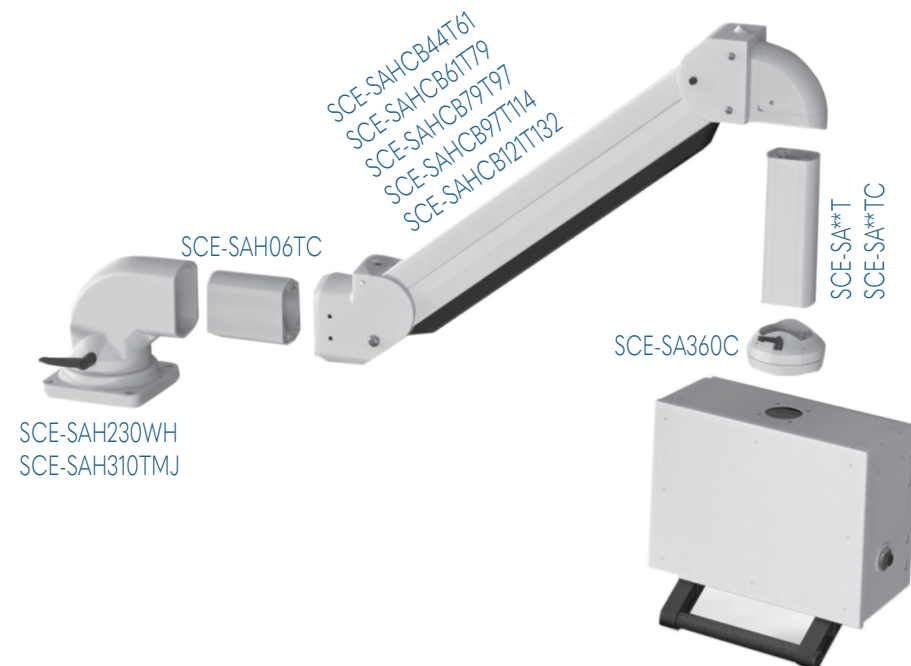


Enclosure Product Code C3

Catalog No.	Description	Height (A)	Width (B)	Depth (C)	Load Capacity	Industry Standard
<a href="#">SCE-SAH230WH</a>	Wall Hinge, 230 Swivel	16.34	6.97	9.45		IS17
<a href="#">SCE-SAH310TMJ</a>	Top-Mount Swivel	9.34	6.97	9.453		IS17
<a href="#">SCE-SAH06TC</a>	Heavy Duty Closed Tube Suspension Profile	6.00	5.00	3.00		IS17
<a href="#">SCE-SAHCB44T61</a>	Counter Balance Arm	8.12	6.97	40.67	44-61 lbs	IS17
<a href="#">SCE-SAHCB61T79</a>	Counter Balance Arm	8.12	6.97	40.67	61-79 lbs	IS17
<a href="#">SCE-SAHCB79T97</a>	Counter Balance Arm	8.12	6.97	40.67	79-97 lbs	IS17
<a href="#">SCE-SAHCB97T114</a>	Counter Balance Arm	8.12	6.97	40.67	97-114 lbs	IS17
<a href="#">SCE-SAHCB121T132</a>	Counter Balance Arm	8.12	6.97	40.67	121-132 lbs	IS17

## COMPONENTS

Catalog No.	Description	Height (A)	Width (B)	Depth (C)	Product Code
<a href="#">SCE-SA451A</a>	Inclining Adapter 45 degree	4.33	9.29	6.38	C3
<a href="#">SCE-SAS360C</a>	Coupling 360 Swivel	3.19	5.12	5.12	C3
<a href="#">SCE-SA39TC</a>	Closed Tube Suspension Profile	39.37	2.56	3.54	C3
<a href="#">SCE-SA20TC</a>	Closed Tube Suspension Profile	19.69	2.56	3.54	C3
<a href="#">SCE-SA39T</a>	Open Tube Suspension Profile	39.37	2.56	3.54	C3
<a href="#">SCE-SA20T</a>	Open Tube Suspension Profile	19.69	2.56	3.54	C3
<a href="#">SCE-SA08TC</a>	Closed Tube Suspension Profile	7.87	2.56	3.54	C3
<a href="#">SCE-SA30TC</a>	Closed Tube Suspension Profile	29.53	2.56	3.54	C3



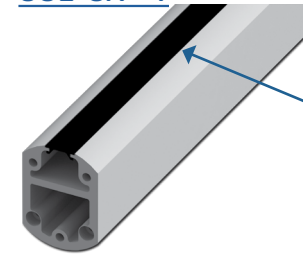
## SCE-SA360C



## SCE-SA451A



## SCE-SA\*\*T



Removable Push Fit Rubber Cover

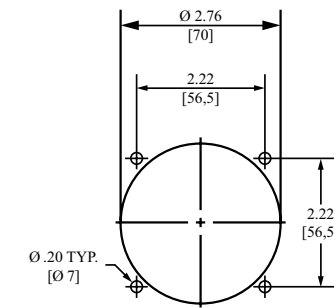
## SCE-SA\*\*TC



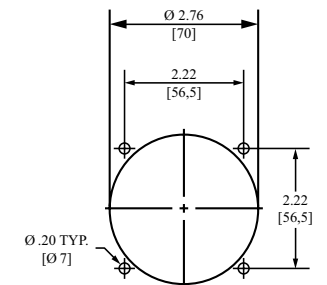
M8 Threaded holes (x4)

# SUSPENSION SYSTEM TECHNICAL DATA

## ENCLOSURE MOUNTING HOLE PATTERN



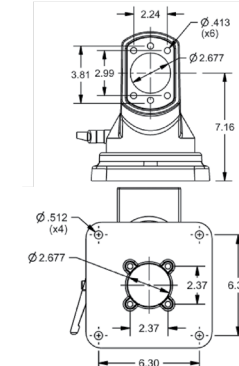
## ENCLOSURE MOUNTING HOLE PATTERN



## SCE-SAH310TMJ



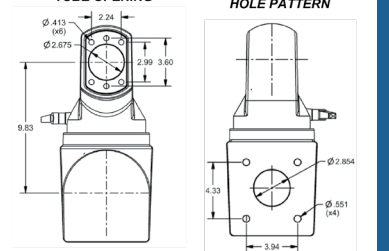
## MOUNTING HOLE PATTERN



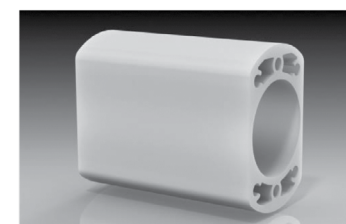
## SCE-SAH230WH



## TUBE OPENING ENCLOSURE MOUNTING HOLE PATTERN



## SCE-SAH06TC



## BASE MOUNTING HOLE PATTERN

